

MiniCIP MagMixer™

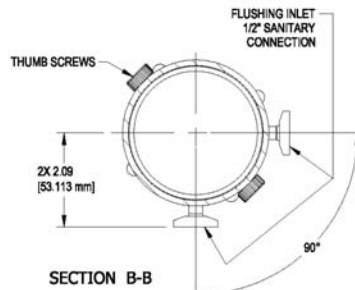
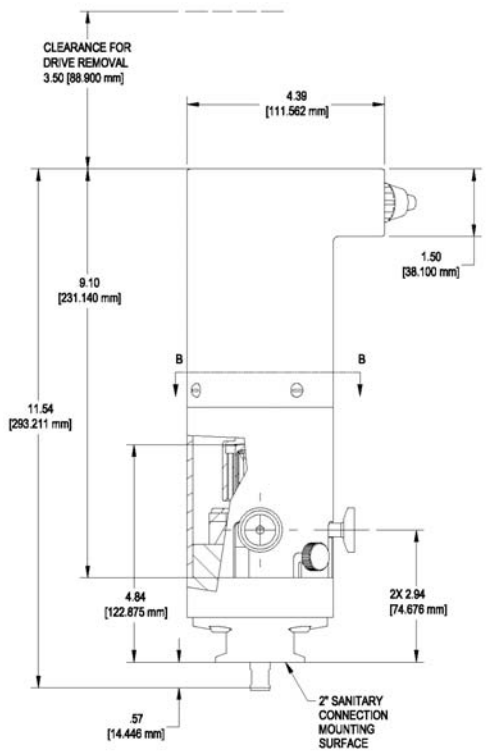
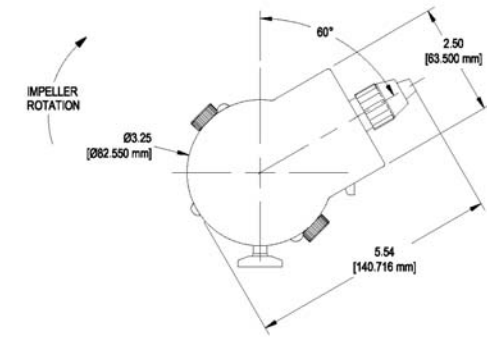
Newest Addition to LIGHTNIN's SanStar Line of Sanitary Mixers

The LIGHTNIN MiniCIP is designated for smaller lab, pilot, and production vessels. This new mixer is perfect for the laboratory environment where cleanliness and ease of use is mandatory. The new design will allow the user to easily remove the drive and either sterilize and/or autoclave the entire tank without removing the mixer.



This small mixer offers a variety of features for the BioPharm market due to its unique design

- One MiniCIP drive can be used for multiple vessels
- Simple Design
- Washdown duty motor assembly, 1 1/2" Triclover connection
- Small foot print, 3" diameter x 11" tall
- 100% CIP - SIP capable
- Seal-less design, magnetic coupling
- Patented dry running bearings are USP Class VI certified
- 316L construction, 15Ra electro polished wetted parts standard
- Optional materials of construction
- Non-flushed, autoclave design available
- Removable drive, lightweight <10 lbs; use with multiple lower assemblies
- Patented design
- Sanitary or flange mount
- Compatible with LIGHTNIN's spectrum of impellers
- Speed variable 0-500 RPM with panel controller
- Gear motor - 24 VDC



Allows use of one drive with many lower assemblies.

Unique patented twist lock design allows the drive to be removed before autoclaving.

Worldwide commitment: International certification

These products can be CE marked for the European Community.

Call the LIGHTNIN experts

For more information about the MiniCIP or to discuss your application, contact your local LIGHTNIN Sales Representative. Or visit our website at www.spxpe.com. Or call 1-888-649-2378 (888-MIX-BEST) (U.S. and Canada) OR +1 (585) 527-5550 (worldwide).

SPX Process Equipment

For more information about our worldwide locations, approvals, certifications, and local representatives, please visit our web site.
Web Site: www.spxprocessequipment.com • **E-Mail:** lightnin@processequipment.spx.com

135 Mt. Read Blvd., Rochester, NY 14611 Telephone: (888) 649-2378 (888-MIX-BEST), (U.S. and Canada) or +1 (585) 436-5550 (Worldwide)

SPX Process Equipment reserves the right to incorporate our latest design and material changes without notice or obligation.

Design features, materials of construction and dimensional data, as described in this bulletin, are provided for your information only and should not be relied upon unless confirmed in writing. Certified drawings are available upon request.

Issued: B-924-L-04/07